

PICOVEND EZ DUAL PSU extension board

**(powering 5V and 12V devices
from MDB bus)
v2023-08-04**

Table of Contents

I. Introduction.....	3
II. Hardware.....	4
A. Board overview – master board.....	4
B. Connectors description.....	4

I. Introduction

This device was designed to convert MDB voltage to 5VDC/2.5A and 12VDC/2.5A in order to power various external devices from MDB bus (ex. Raspberry Pi, tablets, etc.)

It is working as an add-on device for PICOVEND EZ MDB BRIDGE (master or slave) or for PICOVEND EZ KEY SIMULATOR.

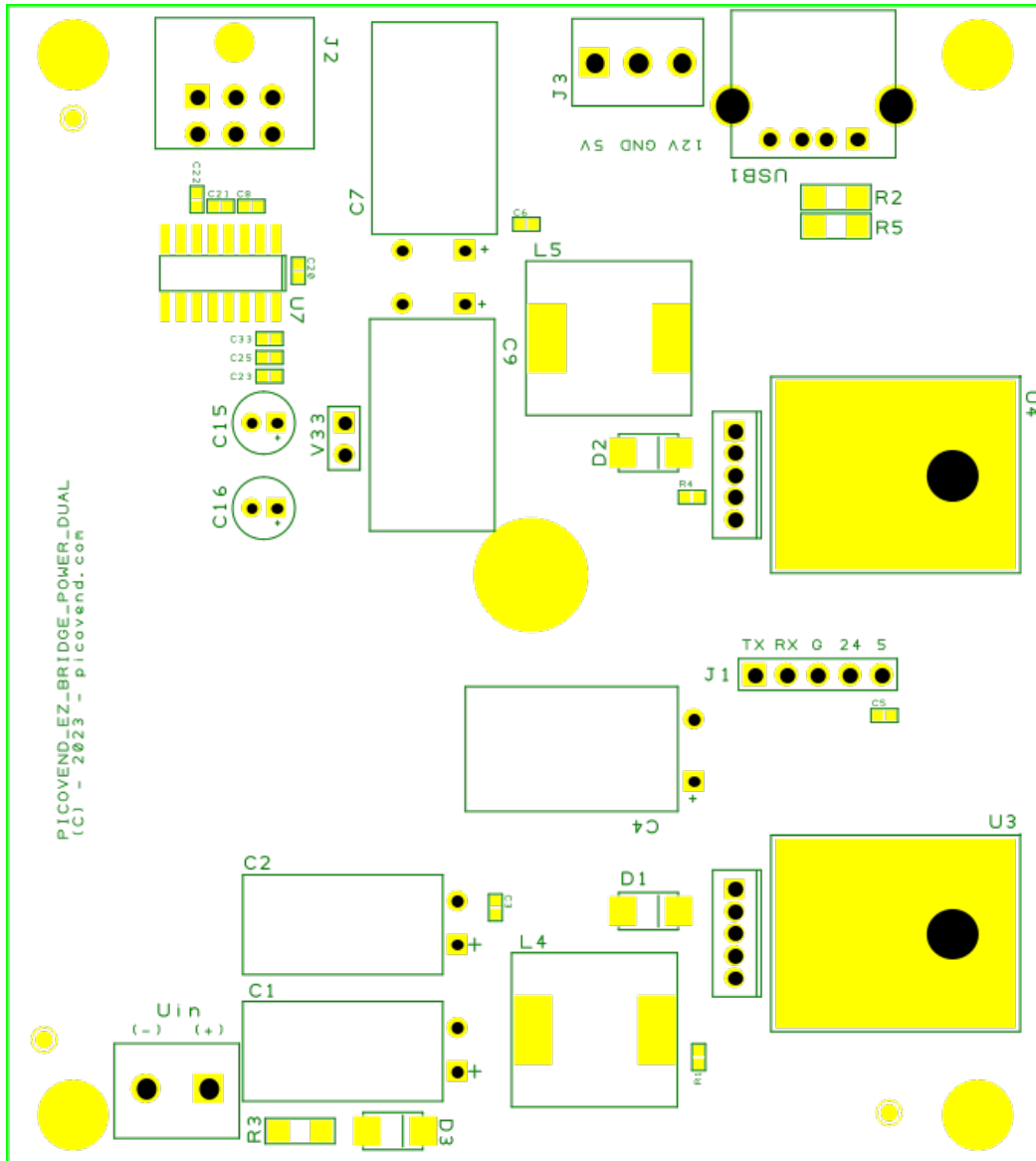
This module is not working alone, it is only working as an add-on module for previously mentioned devices

Package content:

It is not supplied separately, you need to order one of the above mentioned devices, with this optional board included.

II. Hardware

A. Board overview – master board



B. Connectors description

1. **USB1** – USB-A – power only output, 5VDC/2.5A
2. **J3** – terminal block for 5VDC and 12VDC output

This interface needs no configuration.